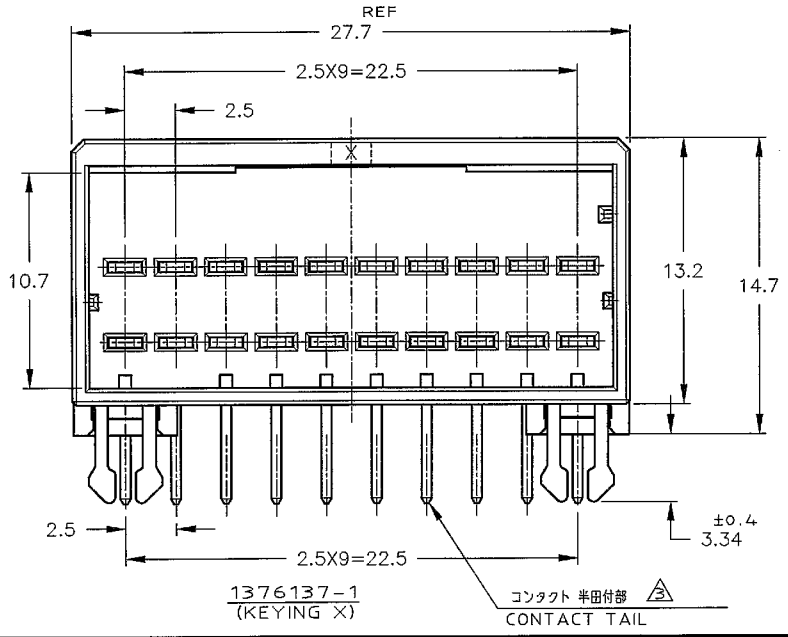
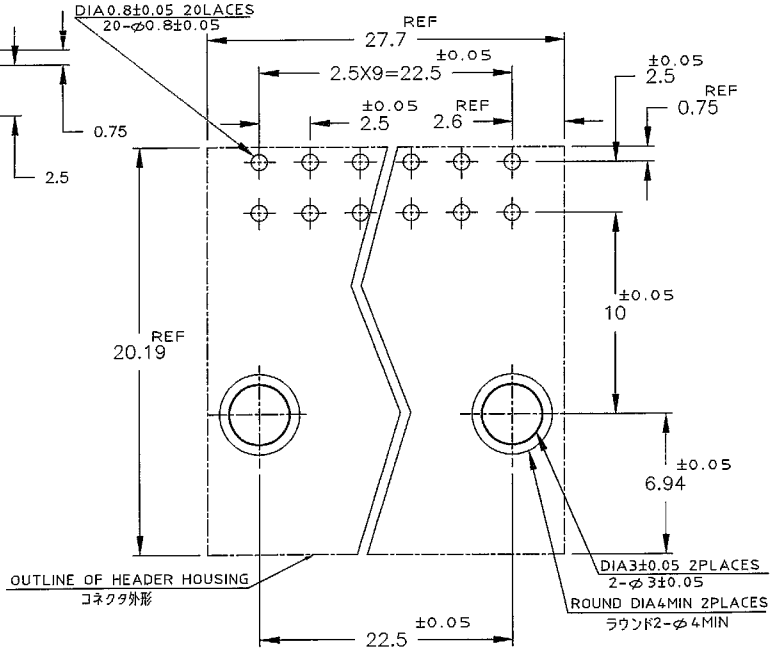
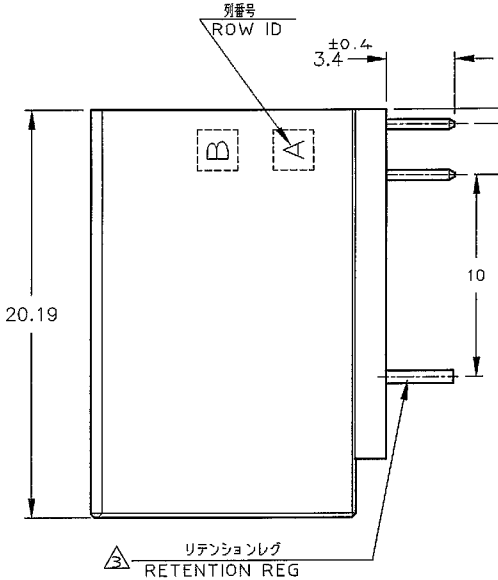
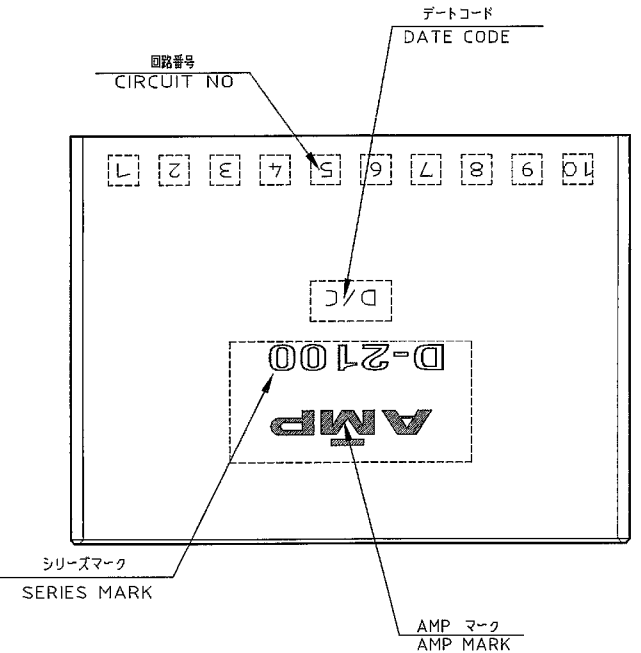


THIS DRAWING IS UNPUBLISHED. RELEASED FOR PUBLICATION 1998
 © COPYRIGHT 1998 BY AMP INCORPORATED. ALL RIGHTS RESERVED.

LOC		DIST		REVISIONS				
P	LTR	DESCRIPTION	ECN	DATE	DWN	APVD		
	0	RELEASED	FJ00-1755-99	28FEB'00	K.I.	Y.K.		
	A	REVISED	FJ00-1080-00	21SEP'00	Y.K.	S.M.		
	B	REVISED	FJD0-0039-03	22 '03	T.S.	S.M.		



1376137-2 (KEYING Y)
SCALE: 2-1

推奨基板取付け寸法公差: ±0.05
PC 基板厚: 1.6 ± 0.3 (コネクタ搭載面)

NOTES

- MATERIAL: HOUSING: GLASS FILLED THERMO PLASTIC POLYESTER (94V-0), COLOR: BLACK
TAB CONTACT: COPPER ALLOY
RETENTION LEG: BRASS
- FINISH (CONTACT AREA): 0.38 μm MIN GOLD PLATING OVER Ni PLATING
- FINISH (RETENTION LEG): TIN PLATED (CONTACT TAIL) OVER NICKEL

1. 材料: ハウジング: ガラス入り熱可塑性ポリエステル樹脂 (94V-0), 色: 黒
タブ コントクト: 銅合金
リテンション レグ: 黄銅

めっき: コンタクト: 金層 Ni 下地
めっき: リテンションレグとコネクタ半田付部
ニッケル下地の上にスズめっき

THIS DRAWING IS A CONTROLLED DOCUMENT FOR AMP INCORPORATED. IT IS SUBJECT TO CHANGE AND THE CONTROLLING ENGINEERING ORGANIZATION SHOULD BE CONTACTED FOR THE LATEST REVISION.		DWN K. IKEDA 24/FEB/'00	Tyco Electronics Tyco Electronics AMP K.K. Kawasaki, Japan	
DIMENSIONS: 単位: mm	TOLERANCES UNLESS OTHERWISE SPECIFIED	CHK Y. KATO 28/FEB/'00	NAME 2列 ヘッダーアセンブリー 20P (水平タイプ) DOUBLE ROW HEADER ASS'Y 20P ("H" TYPE) <DYNAMIC D-2100D>	
MATERIAL 注記参照 SEE NOTES	FINISH 注記参照 SEE NOTES	APVD I. HASEGAWA 28/FEB/'00	PRODUCT SPEC 108-5619	SIZE A3
		APPLICATION SPEC 114-5258	CAGE CODE 00779	DRAWING NO C-1376137
CUSTOMER DRAWING		WEIGHT 71	RESTRICTED TO -	SCALE 4-1
		SHEET 1		REV B